

ENVIRO-SEPTIC PIPE LINE ELEVATIONS

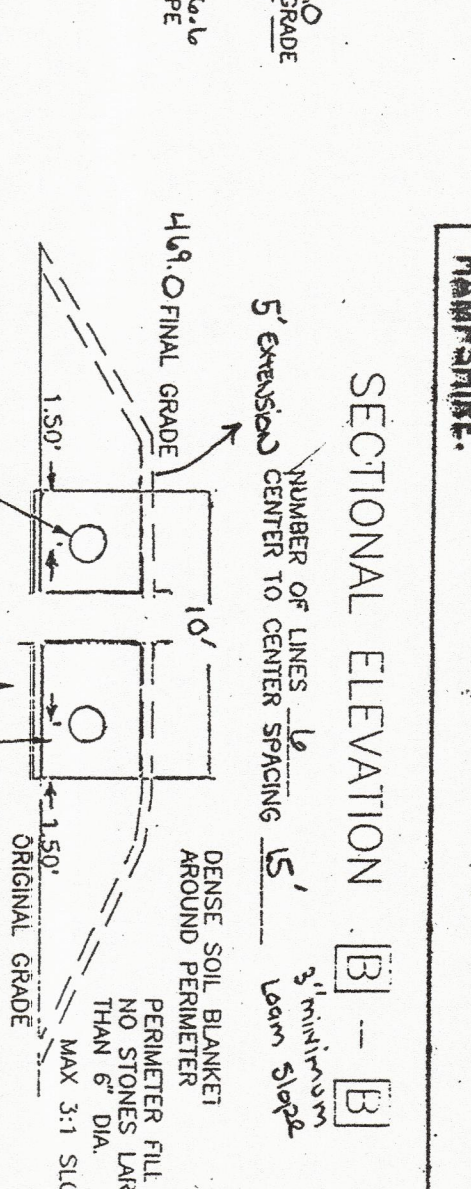
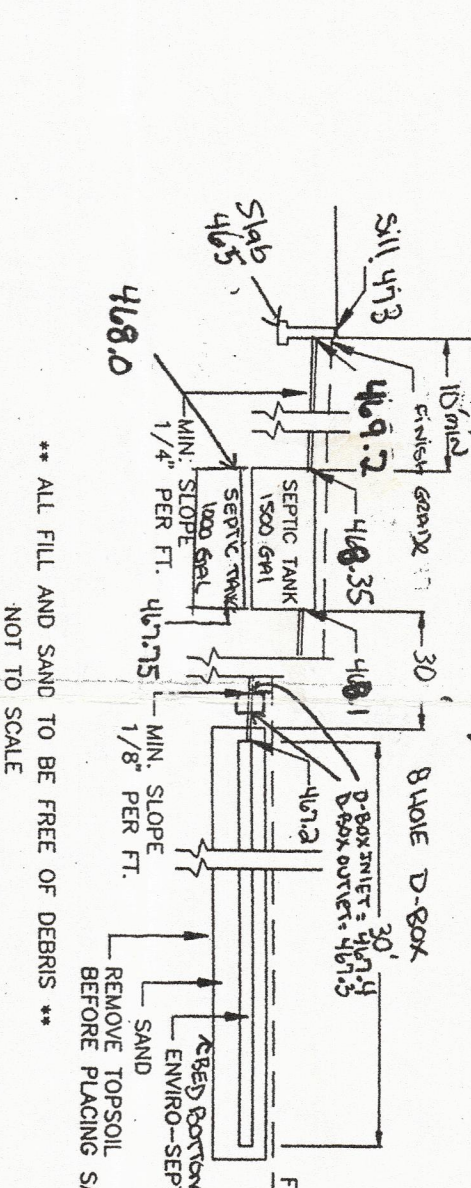
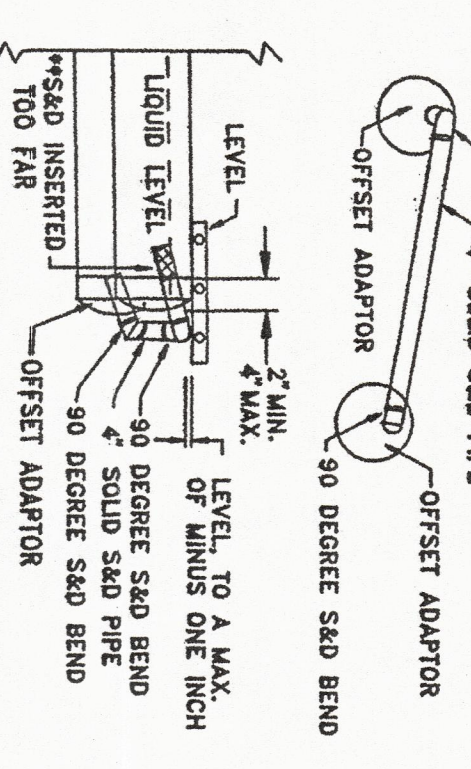
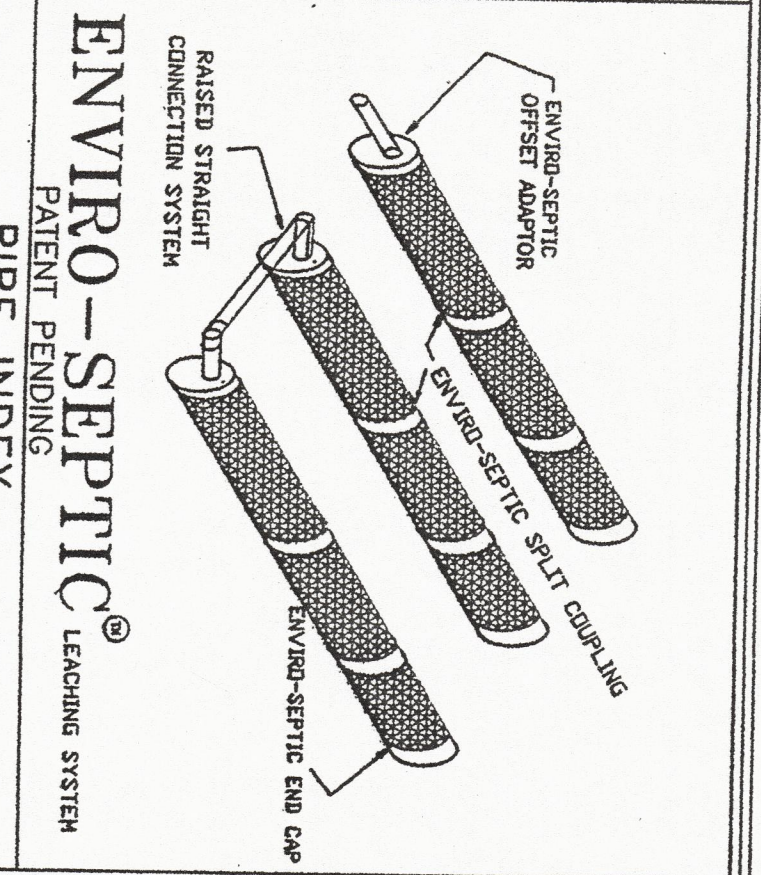
SECTION	LINE NUMBER	1	2	3	4	5	6	7	8	9	10	11	12	13	14	15	16	17	18	19
TOP OF LINE		446.0	446.0	446.0	446.0	446.0	446.0	446.0	446.0	446.0	446.0	446.0	446.0	446.0	446.0	446.0	446.0	446.0	446.0	446.0
BOTTOM OF LINE		446.0	446.0	446.0	446.0	446.0	446.0	446.0	446.0	446.0	446.0	446.0	446.0	446.0	446.0	446.0	446.0	446.0	446.0	446.0

**DESIGN INTENT**  
 BOTTOM OF ENVIRO-SEPTIC PIPE TO BE NO LOWER THAN ORIGINAL GRADE  
 BELOW ORIGINAL GRADE  
 RAISED STRAIGHT CONNECTION SYSTEM  
 22/45° CONNECTION SYSTEM

**SPOT ELEVATIONS**  
 A, B, C, D, E, F, G, H, I, J

**PIPE SPACING**  
 ENVIRO-SEPTIC PIPE CENTER TO CENTER  
 1.5'  
 2.0'  
 2.5'  
 3.0'  
 1.75'  
 2.25'  
 2.75'  
 3.5'

**SOIL DATA**  
 C.M.D. Stanton Stonery Fine Sandy loam  
 SAND TYPE  
 15-20% Slope  
 SAND DESIGN <15%; TYPE 'A' SAND  
 SLOPE DESIGN >15%; TYPE 'B' SAND



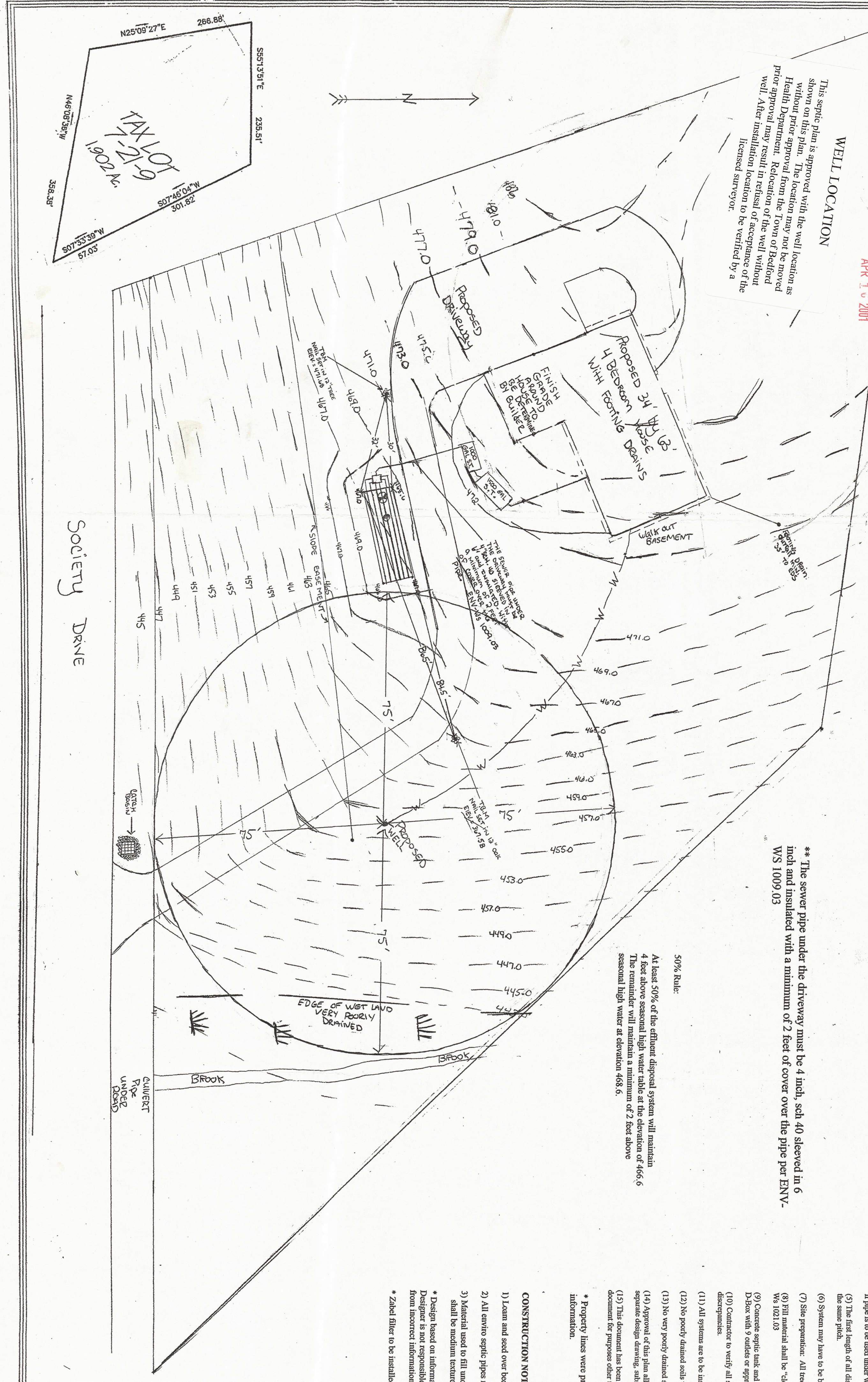
**SPECIAL NOTES:**  
 \*\* ALL FILL AND SAND TO BE FREE OF DEBRIS \*\*  
 NOT TO SCALE

**NOTES:**  
 (1) The septic tank to be used shall be 1100 gallons. Access shall be provided to each compartment by means of either a removable cover or a 20" diameter or larger manhole. The cover shall be made of cast iron or a material of equivalent strength.  
 (2) Seal all pipe joints to prevent leakage from the septic tank and D-box with either non-shrink mortar, thick plastic caulk, or other suitable material.  
 (3) It is recommended that either a 50% increase in tank size or tanks in series be used when garbage grinders shall be used.  
 (4) Sewer pipe from building to septic tank shall be 4" PVC with a minimum pitch of 1/4" per foot (2%). If pipe is to be used under road loads, it must be installed to meet AASHTO H-20 specifications.  
 (5) The first length of all distribution lines leading from the D-box to each row of septic pipes shall be laid with the same pitch.  
 (6) Systems may have to be built in place if a failure occurs.  
 (7) Site preparation: All trees, logs, rocks, and other material shall be removed from the area to be filled.  
 (8) Fill material shall be "lean soil" free of gravel, stones, clumps, or rocks more than 6" in any dimension. (See WS 1002.03)  
 (9) Concrete septic tank and D-box are to be supplied by A.I. Form Lin. Septic tanks, standard septic pipes, and D-box with 9' outlet or approved equal.  
 (10) Contractor to verify all site conditions prior to commencement of work. Designer is not responsible for accuracy of information.  
 (11) All systems are to be inspected and approved by state and municipal authorities as required before backfilling.  
 (12) No poorly drained soils within 50' of effluent disposal system.  
 (13) No very poorly drained soils within 75' of effluent disposal system.  
 (14) Approval of this plan allows construction of an effluent disposal system only. Construction of any other system requires separate engineering, submission, and approval.  
 (15) This document has been prepared to assist in the construction of an effluent disposal system. Persons using this document for purposes other than the construction of an effluent disposal system do so at their own risk.  
 \* Property lines were provided by land owner. Designer is not responsible for inaccurate information.

\*\* The sewer pipe under the driveway must be 4 inch sch 40 sleeved in 6 inch and installed with a minimum of 2 feet of cover over the pipe per ENVY-WS 1009.03

At least 50% of the effluent disposal system will maintain 4 feet above seasonal high water table at the elevation of 466.6  
 The concrete will maintain a minimum of 2 feet above seasonal high water at elevation 468.6

**WELL LOCATION**  
 This septic plan is approved with the well location as shown on this plan. The location may not be moved without prior approval from the Town of Bedford Health Department. Relocation of the well without approval may result in refusal of the well without increased scrutiny to be verified by a licensed surveyor.



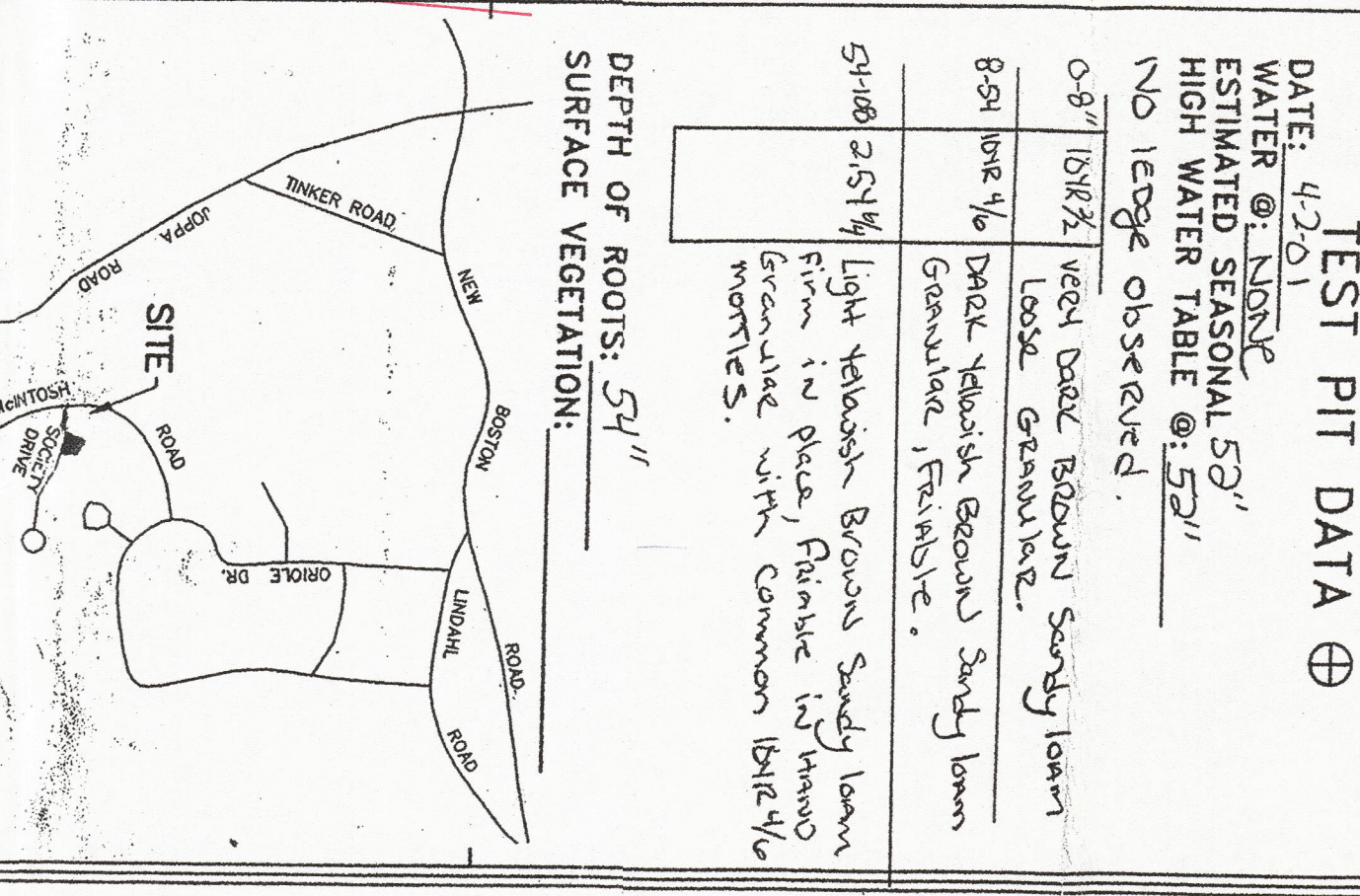
**CONSTRUCTION NOTES:**  
 1) Locate and set out level to prevent erosion.  
 2) All septic pipes must be laid level.  
 3) Material used to fill under effluent disposal system shall be medium textured sand.  
 \* Designer is not responsible for discrepancies resulting from incorrect information.  
 \* Zabel filter to be installed in the outlet of 1000 gallon septic tank.

**Tax Map:** 7  
**Lot Number:** 219  
**Subdivision Approval:** S4198000799  
**County:** Hillsborough  
**Registry Book Number:** 6186  
**Registry Page Number:** 408

**NOTE: BEFORE INSTALLATION, INSTALLER MUST VERIFY ALL ELEVATIONS AND DISTANCES. IF SYSTEM HAS EXISTING BUILDING, ALL CHECKED ELEVATIONS MUST BE CHECKED BY DESIGNER IF ANY DISCREPANCIES ARE FOUND.**

REVIEWED AND APPROVED IN ACCORDANCE WITH THE REQUIREMENTS OF THE NH DEPT OF ENVIRONMENTAL SERVICES WATER DIVISION  
 Signed: *[Signature]* CA 2001 033496  
 Date: 4/20/01

**TEST PIT DATA**  
 DATE: 4/20/01  
 WATER @ 10" DEPTH ESTIMATED SEASONAL HIGH WATER TABLE @ 5.2'  
 NO ledge observed  
 0-8" (S&S) wet dark brown sandy loam loose granular  
 8-9" (S&S) dark brown sandy loam loose granular  
 9-10" (S&S) light yellow brown sandy loam firm to plastic, friable in hand granular with common brick-like nodules.



**PROPOSED SEPTIC DISPOSAL FACILITIES FOR PROPERTY OF:**  
 Manor Homes Builders Inc.  
 PO Box 1000 40 South Gate Rd  
 Bedford NH 03110  
 PHONE: 603-478-8156  
 DRN. BY: JL  
 SCALE: 1"=20'  
 DATE: 4/10/01  
 CHECKED BY:  
 DRAWING #:

DESIGNED BY:  
 Jason E. LeBlanc  
 9 Hammond Ln  
 Gorham, NH 03545  
 Designer  
 Submitted to:  
 Department of Environmental Services  
 100 North Main Street  
 Concord, NH 03301  
 Date: APR 17 2001